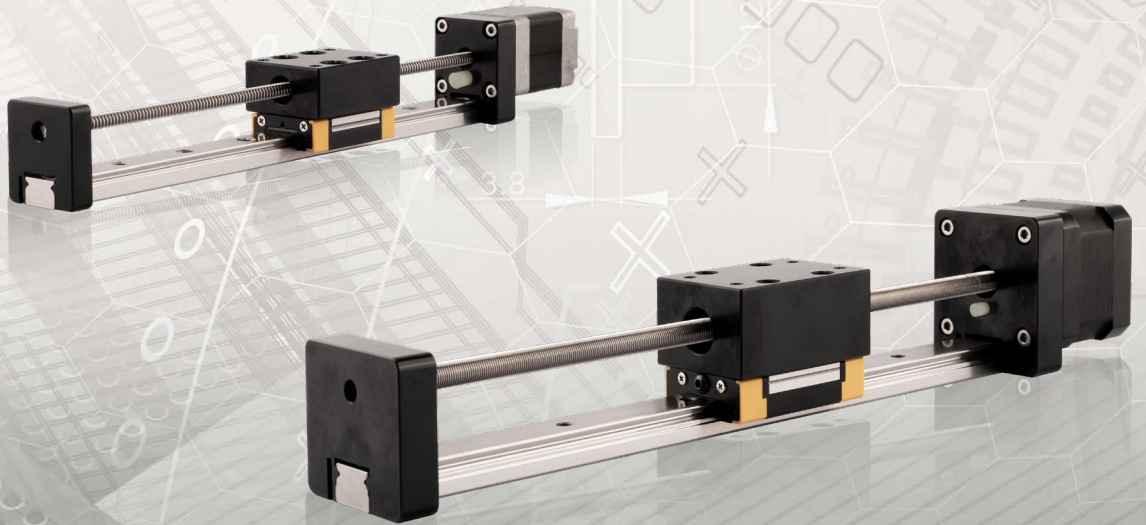


DINGS'

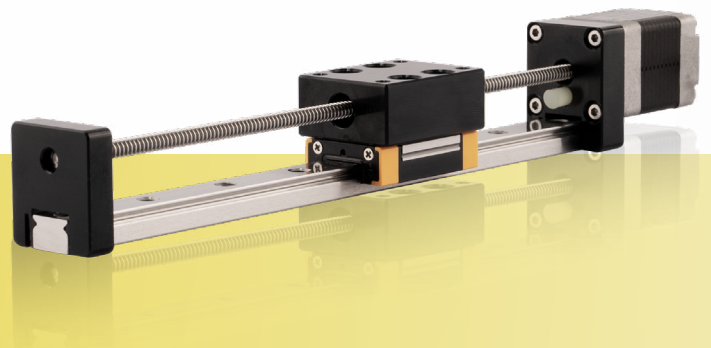
Precision Motion Specialist

DSM SERIES PRODUCT CATALOG



The DSM series of precise and compact linear modules combines all major aspects of the precise linear Motor system into a small and economical structure, including external drive linear actuators, precise screw rods and high-precision linear guides.

The DSM series linear modules are available in NEMA 6, 8, 11, 14, and 17 motor sizes. There are over 80 types of screw rods available for matching, with a range of lead options ranging from 0.3 to 25.4mm.



DSM SERIES

CONTENTS

DSM SERIES

Part number construction

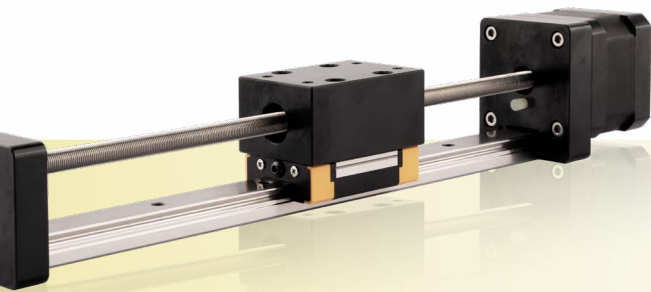
14 mm

20 mm

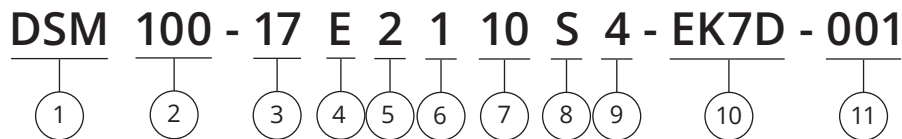
28 mm

35 mm

42 mm



Part Number Construction - DSM Series



- ① Product Name
DSM Series Module
- ② Stroke (mm)
100 = 100mm
- ③ Motor Size

Motor Size (mm)	14	20	28	35	42
Motor Size (NEMA)	6	8	11	14	17
- ④ Motor Type
E = External type
N = Non-Captive type
- ⑤ Motor Step Angle
2 = 2 Phase with 1.8°
4 = 2 Phase with 0.9°
- ⑥ Motor Length
1 = Single stack
2 = Double stack
- ⑦ Rated Current / Phase
XX = X.X (A) / Phase
- ⑧ Lead Screw Code
Please refer to lead screw code selection table
- ⑨ Number of Lead Wires
4 = 4 Flying leads
6 = 6 Flying leads
- ⑩ Option
EKX = Encoder [X = Encoder Resolution]
P = Manual Knob
B = Brake
X = Rear Shaft
R = Encoder Ready
C = Customize
N = No processing at the rear end
- ⑪ Customer Sequence Number

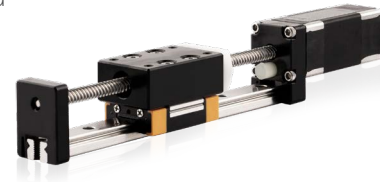
Example

Part Number	DSM100-17E2110S4-EK7D-001
Description	DSM Linear Module 100mm Stroke NEMA 17 External Linear Actuator 2 Phase / 1.8° Stepper Single Stack 1.0A / Phase S Lead (0.25" or 6.35mm) 4 Flying Wires EK7D Encoder with differential output 1,000 lines Serial Number 001

Size 14mm DSM

Based on DINGS' platform products, high precision of lead screw linear actuator and self-developed simple linear module, DLM 14mm series is compact and reliable structure of linear solution.

DSM 14mm Series is good precision, high diversity of optional stroke and lead based customization linear module which can provide customers with integrated customization solutions.



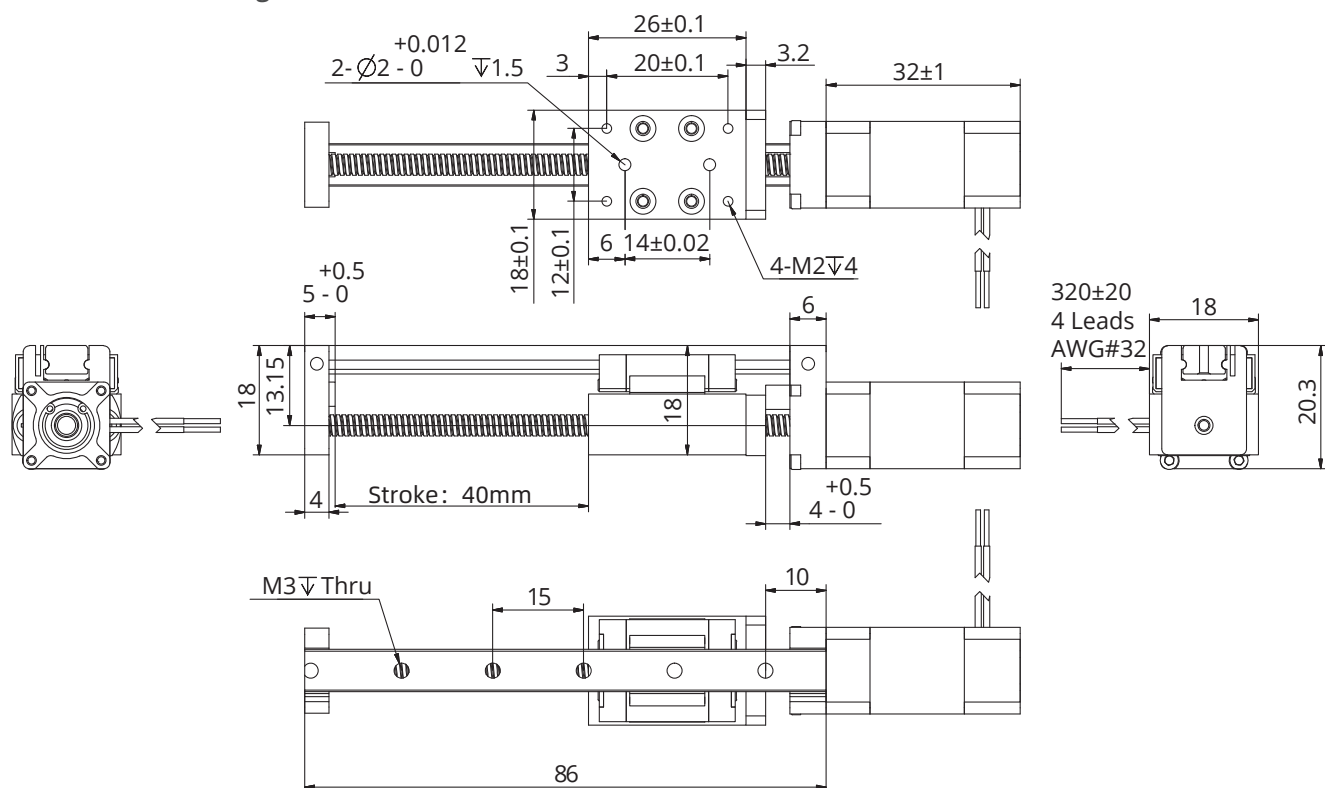
Motor Characteristics

Motor	Voltage (V)	Current (A _{RMS})	Resistance (Ω)	Inductance (mH)	Weight (g)	Lead wire No.	Motor length (mm)
6E2103	6.6	0.3	22	4.5	60	4	32

Available Lead Screw and Travel per Step

Screw Dia. (inch)	Screw Dia. (mm)	Lead (inch)	Lead (mm)	Lead Code	Travel Per Step @1.8° (mm)*
0.138	3.5	0.0118	0.3	AF	0.0015
0.138	3.5	0.024	0.6096	AA	0.003048
0.138	3.5	0.048	1.2192	B	0.006096
0.138	3.5	0.0787	2	G	0.01
0.138	3.5	0.1575	4	M	0.02
0.138	3.5	0.315	8	T	0.04

Dimensional Drawings



Note: Any travel can be customized within the maximum travel range

Size 20mm DSM

Based on DINGS' platform products, high precision of lead screw linear actuator and self-developed simple linear module, DSM 20mm series is compact and reliable structure of linear solution.

DSM 20mm Series is good precision, high diversity of optional stroke and lead based customization linear module which can provide customers with integrated customization solutions.



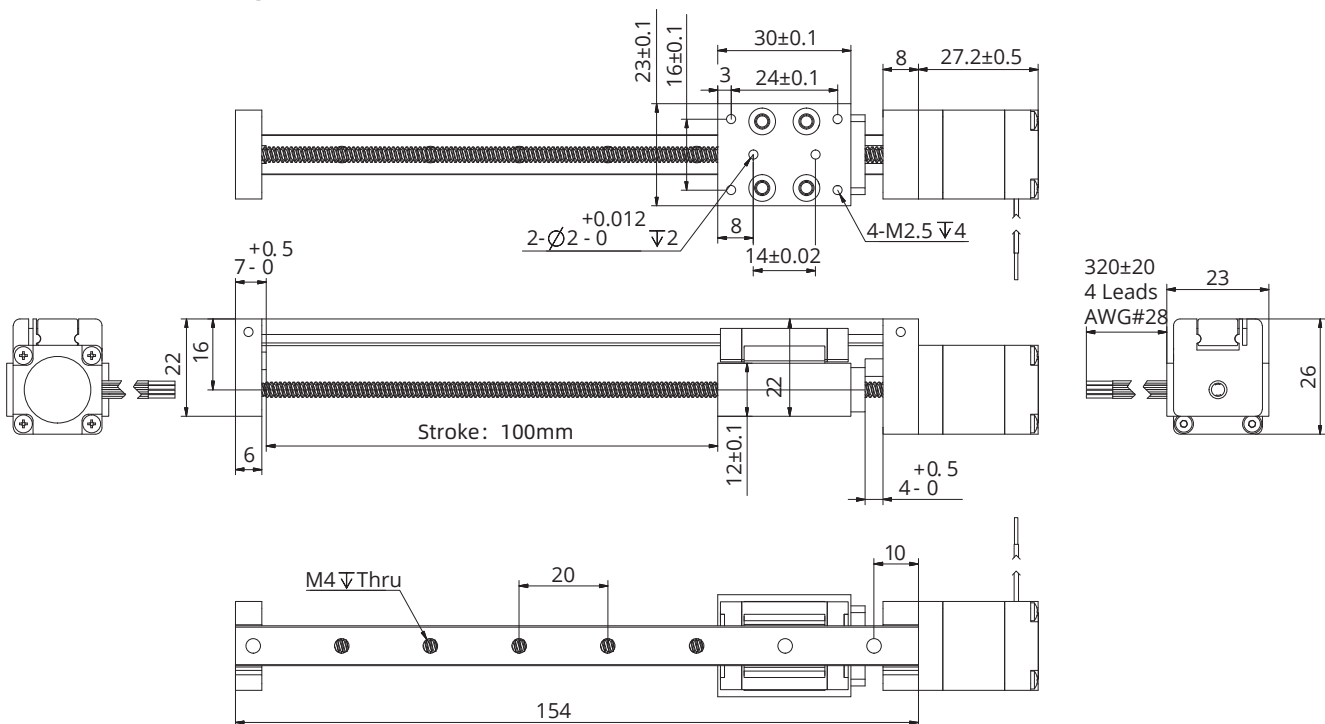
Motor Characteristics

Motor	Voltage (V)	Current (A _{RMS})	Resistance (Ω)	Inductance (mH)	Lead wire No.	Motor length (mm)
8E2105	2.5	0.5	5.1	1.5	4	27.2
8E2205	4.4	0.5	8.8	2.7	4	38.1

Available Lead Screw and Travel per Step

Screw Dia. (inch)	Screw Dia. (mm)	Lead (inch)	Lead (mm)	Lead Code	Travel Per Step @1.8° (mm)*
0.138	3.5	0.0118	0.3	AF	0.0015
0.138	3.5	0.024	0.6096	AA	0.003048
0.138	3.5	0.0394	1	AB	0.005
0.138	3.5	0.048	1.2192	B	0.006096
0.138	3.5	0.0787	2	G	0.01
0.138	3.5	0.1575	4	M	0.02
0.138	3.5	0.315	8	T	0.04

Dimensional Drawings

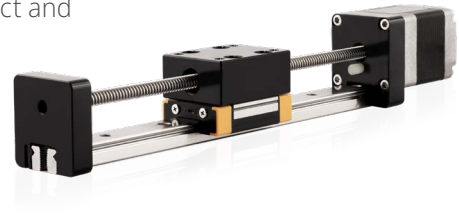


Note: Any travel can be customized within the maximum travel range

Size 28mm DSM

Based on DINGS' platform products, high precision of lead screw linear actuator and self-developed simple linear module, DSM 28mm series is compact and reliable structure of linear solution.

DSM 28mm Series is good precision, high diversity of optional stroke and lead based customization linear module which can provide customers with integrated customization solutions.



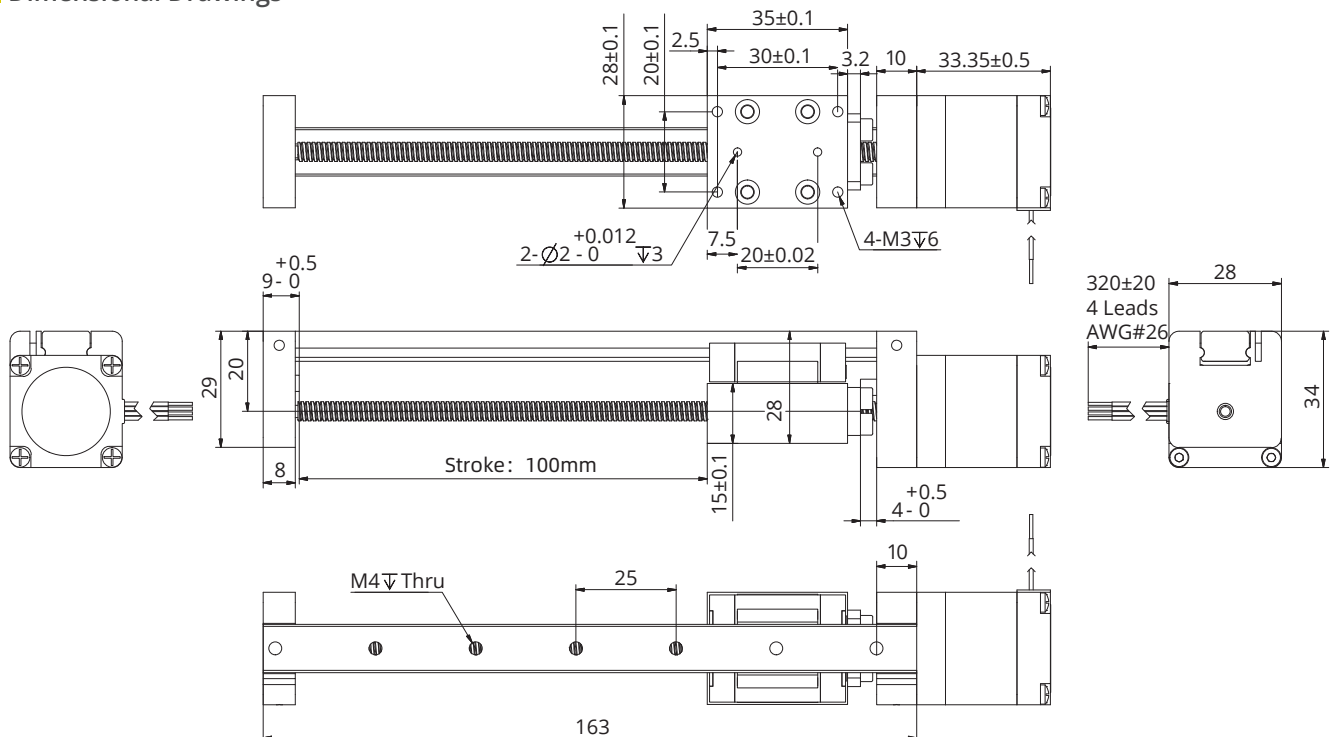
Motor Characteristics

Motor	Voltage (V)	Current (A _{RMS})	Resistance (Ω)	Inductance (mH)	Lead wire No.	Motor length (mm)
11E2105	4.55	0.5	9.1	6.0	4	33.35
11E2110	2.1	1.0	2.1	1.5	4	33.35
11E2209	3.9	0.95	4.1	4.0	4	45
11E2216	2.4	1.6	1.5	1.3	4	45

Available Lead Screw and Travel per Step

Screw Dia. (inch)	Screw Dia. (mm)	Lead (inch)	Lead (mm)	Lead Code	Travel Per Step @1.8° (mm)*
0.188	4.77	0.0128	0.3175	AL	0.0016
0.188	4.77	0.025	0.635	A	0.003175
0.188	4.77	0.05	1.27	D	0.00635
0.188	4.77	0.1	2.54	K	0.0127
0.188	4.77	0.2	5.08	R	0.0254
0.188	4.77	0.4	10.16	X	0.0508

Dimensional Drawings

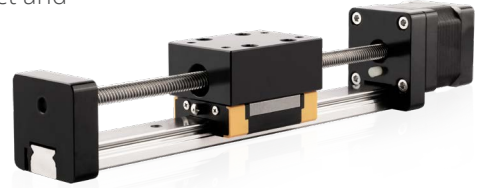


Note: Any travel can be customized within the maximum travel range

Size 35mm DSM

Based on DINGS' platform products, high precision of lead screw linear actuator and self-developed simple linear module, DSM 35mm series is compact and reliable structure of linear solution.

DSM 35mm Series is good precision, high diversity of optional stroke and lead based customization linear module which can provide customers with integrated customization solutions.



Motor Characteristics

Motor	Voltage (V)	Current (A _{RMS})	Resistance (Ω)	Inductance (mH)	Lead wire No.	Motor length (mm)
14E2105	6.6	0.5	13.2	14	4	33.6
14E2110	3.5	1.0	3.5	3.6	4	33.6
14E2115	2.7	1.5	1.8	1.9	4	33.6
14E2205	12.0	0.5	24.0	29	4	45.6
14E2210	6.0	1.0	6.0	7.2	4	45.6
14E2215	4.0	1.5	2.7	3.2	4	45.6

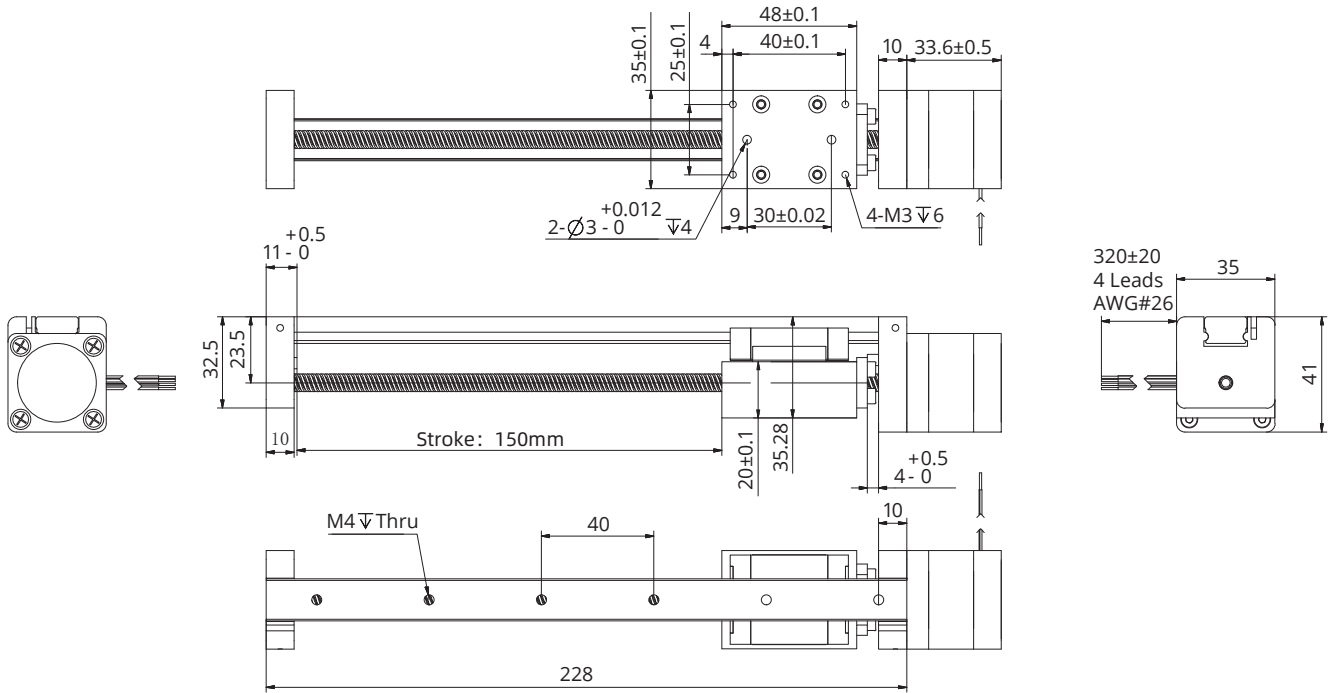
Available Lead Screw and Travel per Step

Screw Dia. (inch)	Screw Dia. (mm)	Lead (inch)	Lead (mm)	Lead Code	Travel Per Step @1.8° (mm)*
0.25	6.35	0.024	0.6096	AA	0.003048
0.25	6.35	0.0394	1	AB	0.005
0.25	6.35	0.048	1.2192	B	0.006096
0.25	6.35	0.05	1.27	D	0.00635
0.25	6.35	0.0625	1.5875	F	0.0079
0.25	6.35	0.096	2.4384	J	0.0122
0.25	6.35	0.1	2.54	K	0.0127
0.25	6.35	0.125	3.175	L	0.0159
0.25	6.35	0.192	4.8768	Q	0.024
0.25	6.35	0.2	5.08	R	0.0254
0.25	6.35	0.25	6.35	S	0.0318
0.25	6.35	0.333	8.4667	U	0.0423
0.25	6.35	0.384	9.7536	W	0.0488
0.25	6.35	0.5	12.7	Y	0.0635
0.25	6.35	1	25.4	Z	0.127
0.31	8	0.1575	4	M	0.02
0.31	8	0.315	8	T	0.04
0.31	8	0.0787	2	G	0.01

Note: Any travel can be customized within the maximum travel range

Size 35mm DSM

Dimensional Drawings

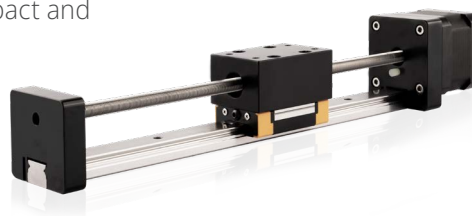


Note: Any travel can be customized within the maximum travel range

Size 42mm DSM

Based on DINGS' platform products, high precision of lead screw linear actuator and self-developed simple linear module, DSM 42mm series is compact and reliable structure of linear solution.

DSM 42mm Series is good precision, high diversity of optional stroke and lead based customization linear module which can provide customers with integrated customization solutions.



Motor Characteristics

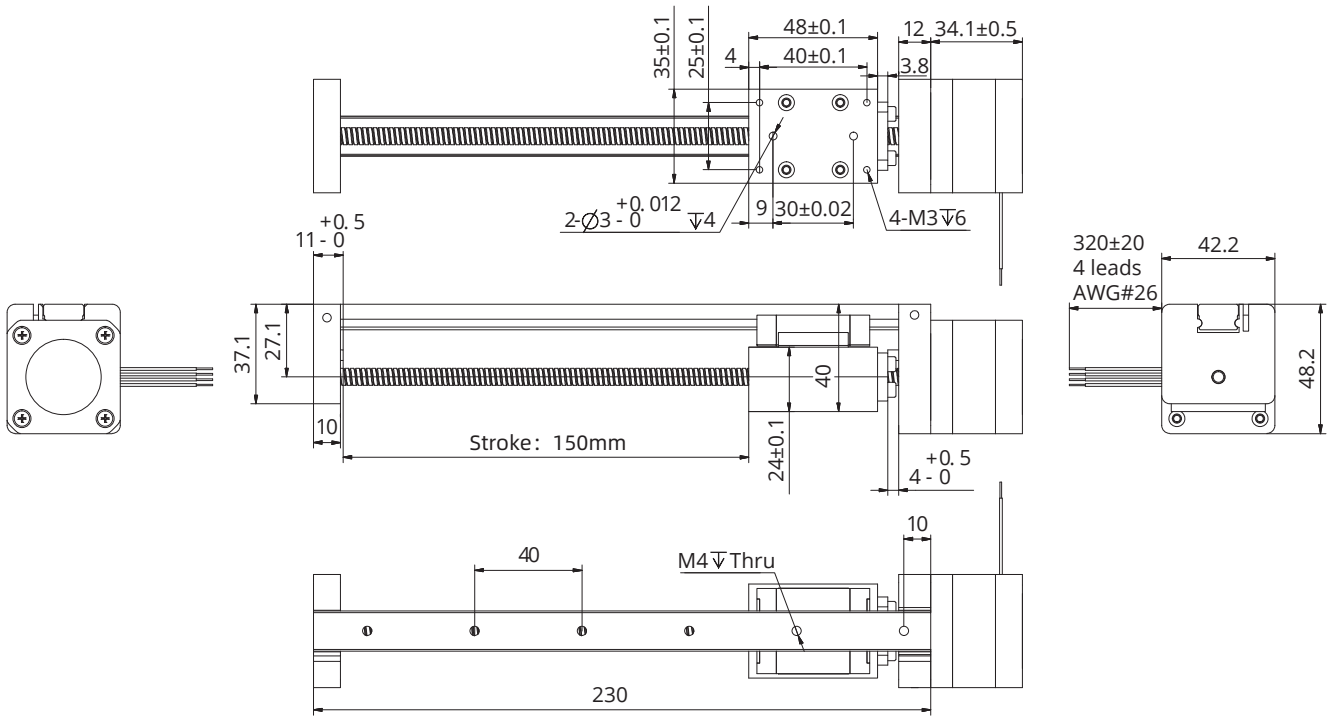
Motor	Voltage (V)	Current (A _{RMS})	Resistance (Ω)	Inductance (mH)	Lead wire No.	Motor length (mm)
17E2105	7.2	0.5	14.4	19.8	4	34.1
17E2110	3.8	1.0	3.8	5.0	4	34.1
17E2115	2.85	1.5	1.9	2.2	4	34.1
17E2205	11.0	0.5	22	46	4	48.1
17E2212	4.5	1.2	3.8	8.0	4	48.1
17E2225	2.5	2.5	1.0	1.8	4	48.1

Available Lead Screw and Travel per Step

Screw Dia. (inch)	Screw Dia. (mm)	Lead (inch)	Lead (mm)	Lead Code	Travel Per Step @1.8° (mm)*
0.25	6.35	0.024	0.6096	AA	0.003048
0.25	6.35	0.0394	1	AB	0.005
0.25	6.35	0.048	1.2192	B	0.006096
0.25	6.35	0.05	1.27	D	0.00635
0.25	6.35	0.0625	1.5875	F	0.0079
0.25	6.35	0.096	2.4384	J	0.0122
0.25	6.35	0.1	2.54	K	0.0127
0.25	6.35	0.125	3.175	L	0.0159
0.25	6.35	0.192	4.8768	Q	0.024
0.25	6.35	0.2	5.08	R	0.0254
0.25	6.35	0.25	6.35	S	0.0318
0.25	6.35	0.333	8.4667	U	0.0423
0.25	6.35	0.384	9.7536	W	0.0488
0.25	6.35	0.5	12.7	Y	0.0635
0.25	6.35	1	25.4	Z	0.127
0.31	8	0.1575	4	M	0.02
0.31	8	0.315	8	T	0.04
0.31	8	0.0787	2	G	0.01

Size 42mm DSM

■ Dimensional Drawings



Note: Any travel can be customized within the maximum travel range

DINGS'

Precision Motion Specialist

Headquarter , CHINA

Jiangsu DINGS' Intelligent Control Technology Co., LTD

No. 2850 Luheng Road, Changzhou Economic Development Zone, Jiangsu Province, China

Phone : +86-519-85177826

Fax : +86-519-85177807

E-mail : info@dingsmotion.com

www.dingsmotion.com

Shenzhen Office

Room 1105, Block C, CIMC industry demonstration park, Qiaoming Road, Guangming district, Shenzhen City

E-mail : info@dingsmotion.com

International Office

DINGS' Motion USA

355 Cochrane Circle Morgan Hill, CA 95037

Phone : +1-408-612-4970

E-mail : sales@dingsmotionusa.com

www.dingsmotionusa.com

DINGS' Motion Europe

4 Avenue du Grand Trémoutier 44120 - Vertou - France

Phone : +33-(0)6-41-37-80-07

E-mail : sebastien@dingsmotion.com

<http://fr.dingsmotion.com>

DINGS' KOREA Co., Ltd

C-702, 158, Haneulmaeul-ro, Ilsandong-gu, Goyang-si, Gyeonggi-do, Republic of Korea

Phone : +82-31-994-0755

Fax : +82-70-4325-0755

E-mail : daniel@dingsmotion.com

www.dingsmotion.kr

DINGS' JAPAN

101, 2-27-18, Nishi-kojiya, Ota-ku, Tokyo 144-0034 JAPAN

Phone : +81-3-6811-1335

E-mail : tsukahara@dingsmotion.com

www.dingsmotion.com

■ This catalog is the sole property of DINGS' and without the written authorization of DINGS', any copy or forwarding is prohibited.

■ DINGS' reserves the right to make changes without further notification to any products herein to improve the reliability, function or design.

■ DINGS' reserves the final interpretation.